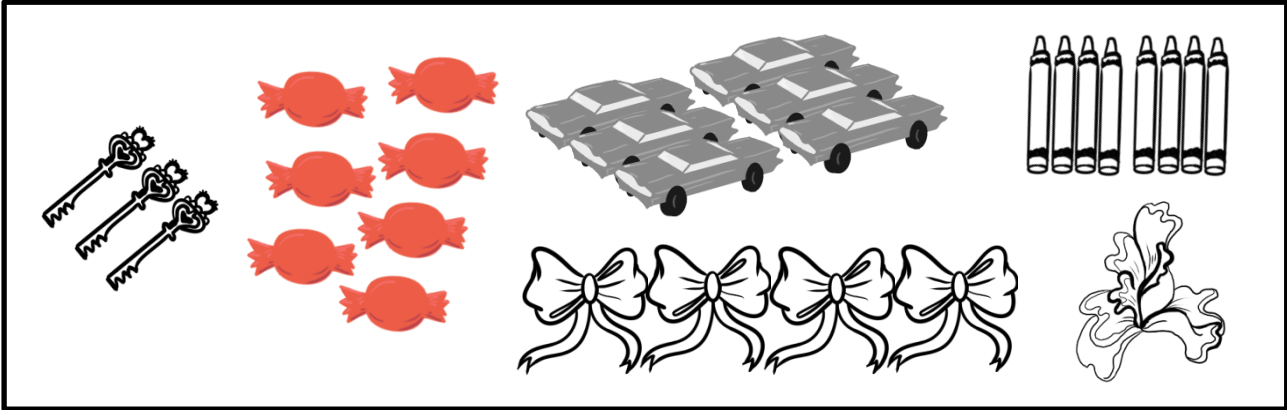


Ordering sets from least to greatest and greatest to least
WORKSHEET#4

Determine the number of objects present in each box and arrange the objects from least to greatest.



Flower =

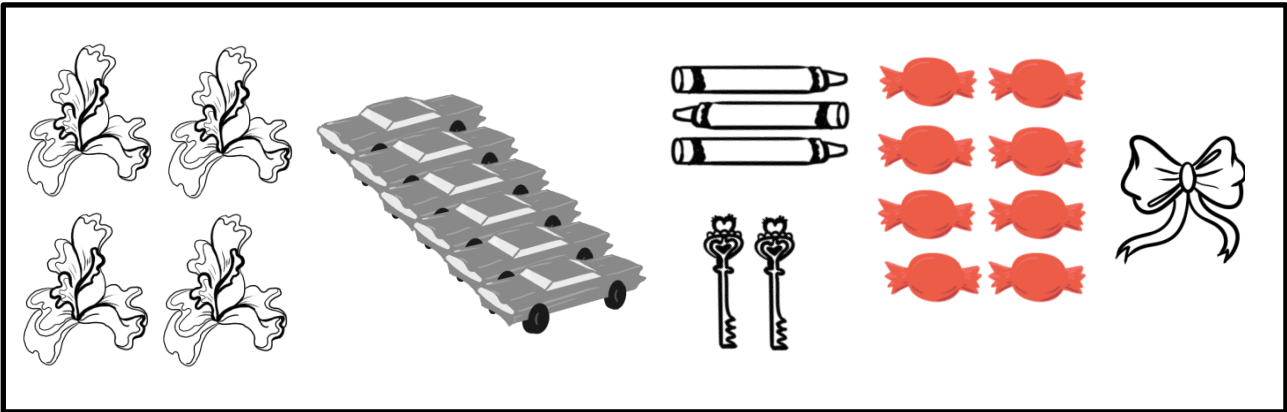
Candy =

Ribbon =

Car =

Crayon =

Key =



Flower =

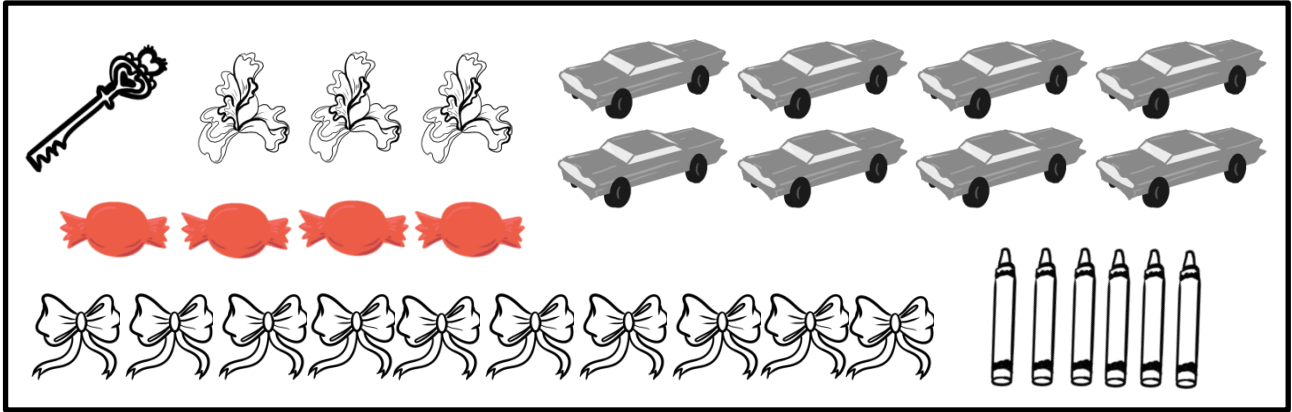
Candy =

Ribbon =

Car =

Crayon =

Key =



Flower =

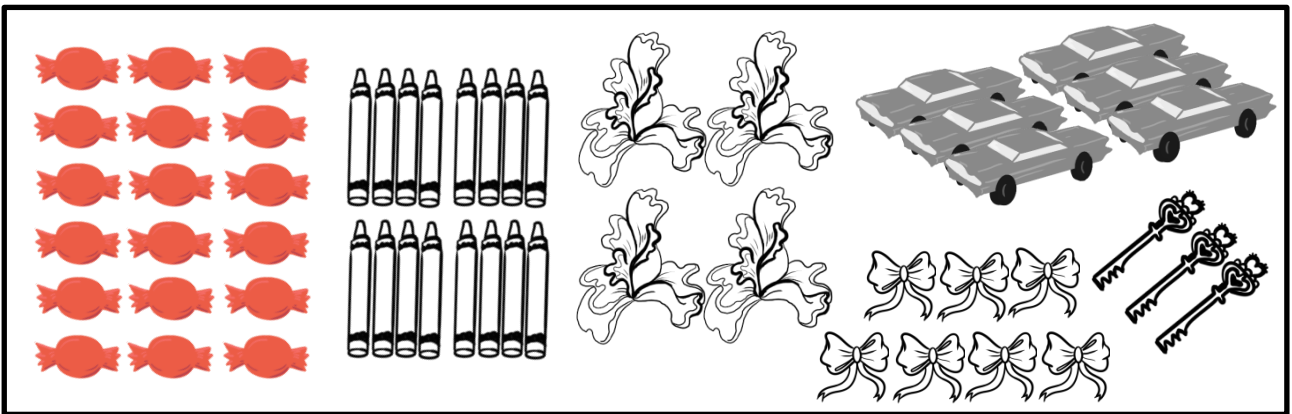
Candy =

Ribbon =

Car =

Crayon =

Key =



Flower =

Candy =

Ribbon =

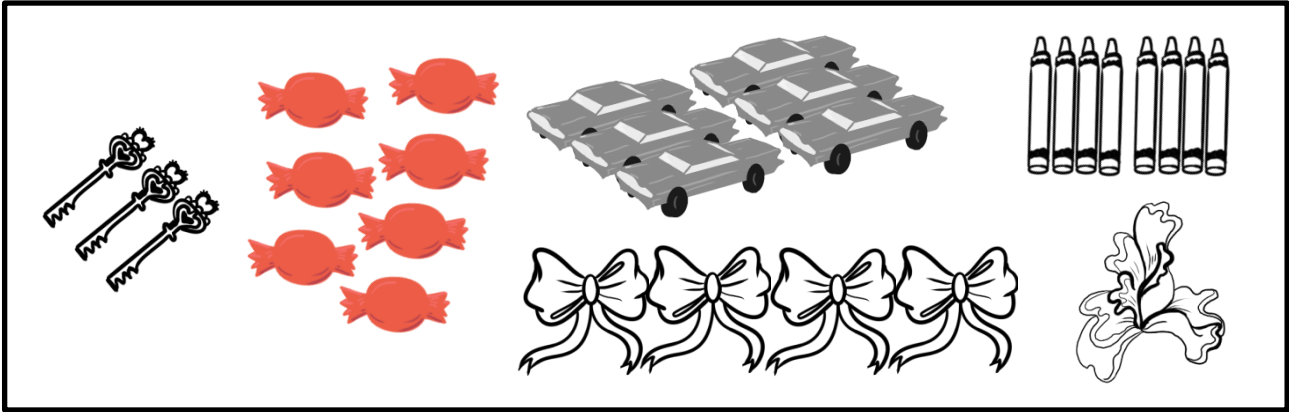
Car =

Crayon =

Key =



ANSWERS



Flower = 1

Candy = 7

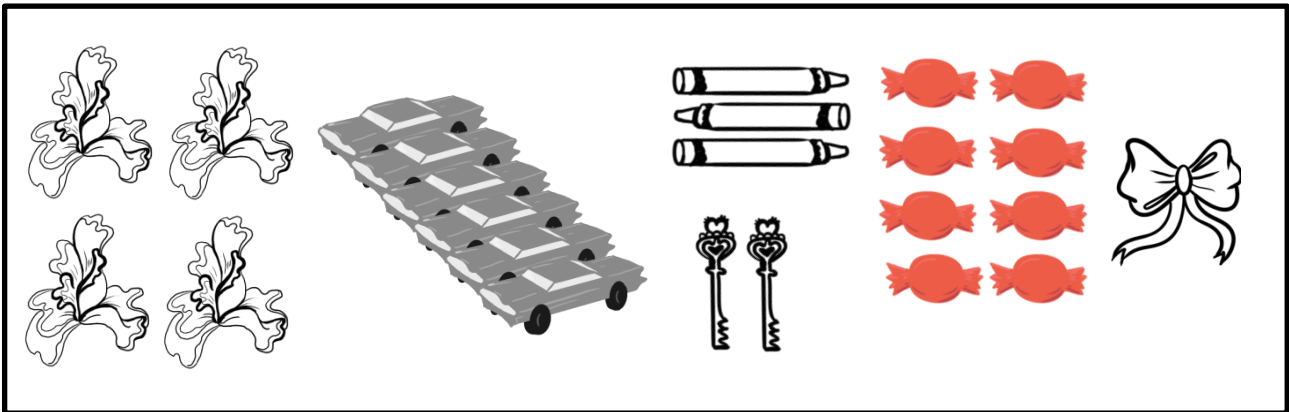
Ribbon = 4

Car = 6

FLOWER KEY RIBBON CAR CANDY CRAYON

Crayon = 8

Key = 3



Flower = 4

Candy = 8

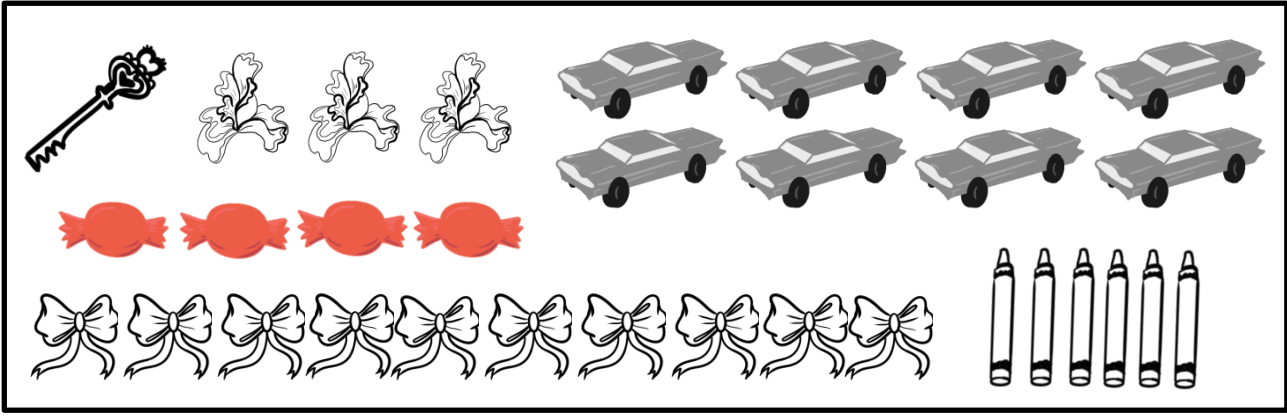
Ribbon = 1

Car = 6

RIBBON KEY CRAYON FLOWER CAR CANDY

Crayon = 3

Key = 2



Flower = 3

Candy = 4

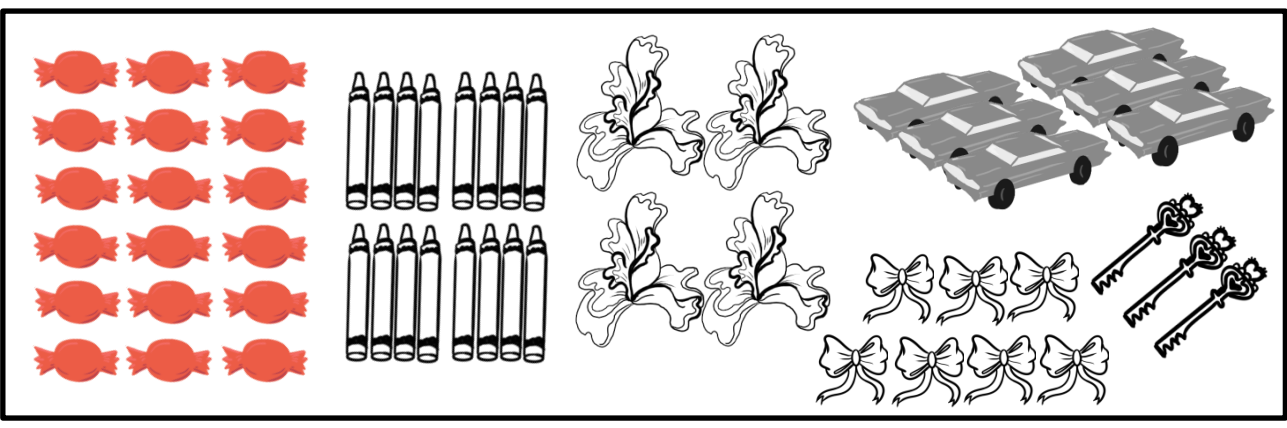
Ribbon = 10

Car = 8

Crayon = 6

Key = 1

KEY FLOWER CANDY CRAYON CAR RIBBON



Flower = 4

Candy = 18

Ribbon = 7

Car = 6

Crayon = 16

Key = 3

KEY FLOWER CAR RIBBON CRAYON CANDY